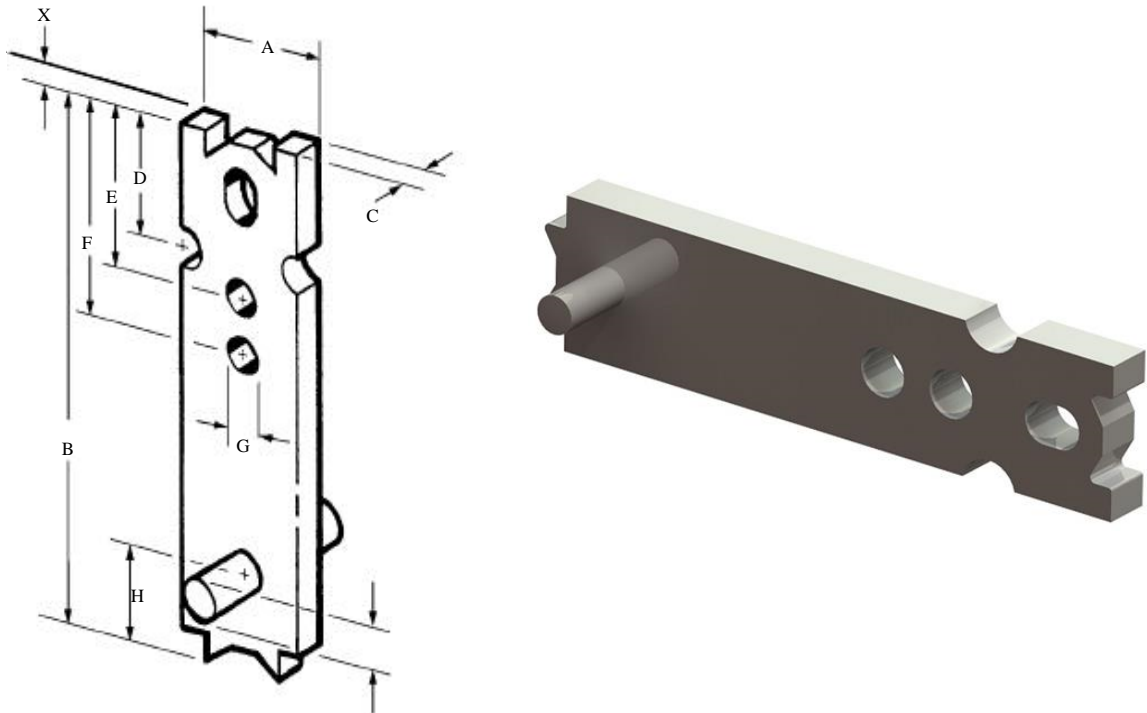


## ERECTION ANCHOR

Erection Anchor	Part No.	Precast Concrete Panel Thickness	SWL		
			Shear (with Shear Bar)	Tension (with anchor only)	Tension (with tension bar)
2T x 8"	HMY047	4" Min.	1,650 lbs.	2,575 lbs.	4,000 lbs.
		12"	4,000 lbs.	4,000 lbs.	4,000 lbs.
4T x 10-7/16"	HMY048	5-1/2" Min.	2,400 lbs.	4,700 lbs.	8,000 lbs.
		12"	5,050 lbs.	8,000 lbs.	8,000 lbs.
6T x 13-1/4"	HMY349	7-1/2" Min.	4,000 lbs.	7,500 lbs.	12,000 lbs.
		12"	5,175 lbs.	11,300 lbs.	12,000 lbs.
8T x 13-1/4"	HMY049	7-1/2" Min.	4,000 lbs.	7,500 lbs.	16,000 lbs.
		12"	5,175 lbs.	11,300 lbs.	16,000 lbs.

Safe Working Loads are based on approximately a 4 to 1 factor of safety in 3,500 psi normal weight concrete.  
 Both HDG and plain finish are available.



Note: Dimension X is distance from surface of concrete to anchor.

### Main Dimensions

Part No.	A	B	C	D	E
HMY047	2"	8"	3/8"	1-13/16"	2-3/8"
HMY048	2-1/2"	10-7/16"	5/8"	2-1/2"	3-3/16"
HMY349	3-3/4"	13-1/4"	5/8"	3-1/8"	4"
HMY049	3-3/4"	13-1/4"	3/4"	3-1/8"	4"

Part No.	F	G	H	J	X
HMY047	3-3/8"	5/8"	1"	1/2"	3/8"
HMY048	4-7/16"	3/4"	1-1/4"	3/4"	7/16"
HMY349	5-3/4"	1"	1-3/4"	3/4"	5/8"
HMY049	5-3/4"	1"	1-3/4"	3/4"	5/8"

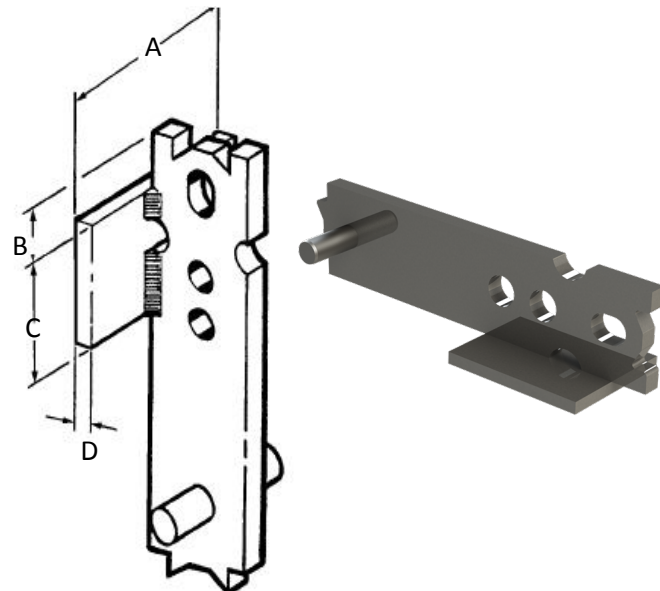
## ERECTION ANCHOR WITH SHEAR PLATE

Erection Anchor With Shear	Part No.	Precast Concrete Panel Thickness	SWL		
			With Shear	With Anchor Only	With Tension
2T x 8"	HMY147	3-1/2" Min.	1,450 lbs.	2,575 lbs.	4,000 lbs.
		4"	1,625 lbs.	2,575 lbs.	4,000 lbs.
		5"	2,050 lbs.	3,350 lbs.	4,000 lbs.
		6"	2,350 lbs.	3,750 lbs.	4,000 lbs.
		7"	2,625 lbs.	3,850 lbs.	4,000 lbs.
		8"	2,850 lbs.	4,000 lbs.	4,000 lbs.
		9"	3,050 lbs.	4,000 lbs.	4,000 lbs.
		10"	3,225 lbs.	4,000 lbs.	4,000 lbs.
		11"	3,425 lbs.	4,000 lbs.	4,000 lbs.
4T x 10-7/16"	HMY148	4" Min.	2,150 lbs.	3,450 lbs.	8,000 lbs.
		5"	2,625 lbs.	4,250 lbs.	8,000 lbs.
		6"	3,100 lbs.	5,075 lbs.	8,000 lbs.
		7"	3,525 lbs.	5,825 lbs.	8,000 lbs.
		8"	3,925 lbs.	6,600 lbs.	8,000 lbs.
		9"	4,275 lbs.	7,350 lbs.	8,000 lbs.
		10"	4,600 lbs.	8,000 lbs.	8,000 lbs.
		11"	4,900 lbs.	8,000 lbs.	8,000 lbs.
6T x 13-1/4"	HMY449	6" Min.	4,000 lbs.	5,580 lbs.	12,000 lbs.
		7"	4,250 lbs.	6,870 lbs.	12,000 lbs.
		8"	4,475 lbs.	7,775 lbs.	12,000 lbs.
		9"	4,725 lbs.	8,300 lbs.	12,000 lbs.
		10"	4,950 lbs.	8,800 lbs.	12,000 lbs.
		11"	5,200 lbs.	10,000 lbs.	12,000 lbs.
8T x 13-1/4"	HMY149	6" Min.	4,000 lbs.	5,580 lbs.	16,000 lbs.
		7"	4,250 lbs.	6,870 lbs.	16,000 lbs.
		8"	4,475 lbs.	7,775 lbs.	16,000 lbs.
		9"	4,725 lbs.	8,300 lbs.	16,000 lbs.
		10"	4,950 lbs.	8,800 lbs.	16,000 lbs.
		11"	5,200 lbs.	10,000 lbs.	16,000 lbs.
12"	5,450 lbs.	11,300 lbs.	16,000 lbs.		

Safe Working Loads are based on approximately a 4 to 1 factor of safety in 3,500 psi normal weight concrete.  
 Both HDG and plain finish are available.

Part No.	A	B	C
HMY147	2-1/2"	3/4"	3"
HMY148	2-1/2"	1-1/4"	3"
HMY449	3"	1-5/8"	3-1/2"
HMY149	3"	1-5/8"	3-1/2"

Anchor dimensions not shown are the same as the Erection Anchor of the same load range.



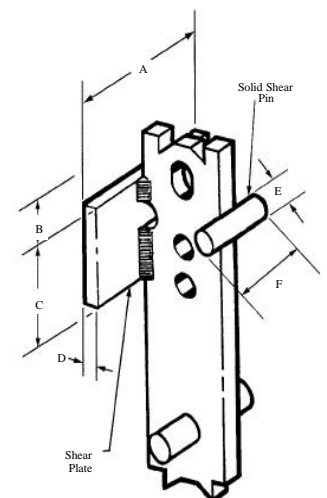
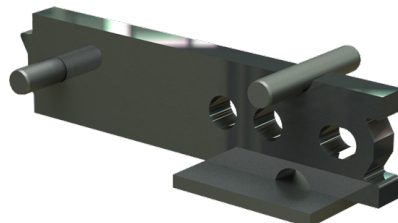
## ERECTION ANCHOR WITH SHEAR PLATE AND SHEAR PIN

Erection Anchor With Shear Plate & Shear Pin	Part No.	Precast Concrete Panel Thickness	Shear SWL		Tension SWL	
			Primary Shear	Secondary Shear	Anchor Only	With Tension Bar
2T x 8"	DLF647	3-1/2" Min.	1,450 lbs.	1,150 lbs.	2,575 lbs.	4,000 lbs.
		4"	1,625 lbs.	1,300 lbs.	2,575 lbs.	4,000 lbs.
		5"	2,050 lbs.	1,650 lbs.	3,350 lbs.	4,000 lbs.
		6"	2,350 lbs.	1,750 lbs.	3,750 lbs.	4,000 lbs.
		7"	2,625 lbs.	1,875 lbs.	3,850 lbs.	4,000 lbs.
		8"	2,850 lbs.	2,100 lbs.	4,000 lbs.	4,000 lbs.
		9"	3,050 lbs.	2,275 lbs.	4,000 lbs.	4,000 lbs.
		10"	3,225 lbs.	2,450 lbs.	4,000 lbs.	4,000 lbs.
		11"	3,425 lbs.	2,575 lbs.	4,000 lbs.	4,000 lbs.
12"	3,675 lbs.	2,950 lbs.	4,000 lbs.	4,000 lbs.		
4T x 10-7/16"	DLF648	4" Min.	2,150 lbs.	1,725 lbs.	3,450 lbs.	8,000 lbs.
		5"	2,625 lbs.	2,100 lbs.	4,250 lbs.	8,000 lbs.
		6"	3,100 lbs.	2,475 lbs.	5,075 lbs.	8,000 lbs.
		7"	3,525 lbs.	2,825 lbs.	5,825 lbs.	8,000 lbs.
		8"	3,925 lbs.	3,150 lbs.	6,600 lbs.	8,000 lbs.
		9"	4,275 lbs.	3,425 lbs.	7,350 lbs.	8,000 lbs.
		10"	4,600 lbs.	3,675 lbs.	8,000 lbs.	8,000 lbs.
		11"	4,900 lbs.	3,925 lbs.	8,000 lbs.	8,000 lbs.
12"	5,150 lbs.	4,125 lbs.	8,000 lbs.	8,000 lbs.		
6T x 13-1/4"	DLF749	6" Min.	4,000 lbs.	3,200 lbs.	5,580 lbs.	12,000 lbs.
		7"	4,250 lbs.	3,400 lbs.	6,870 lbs.	12,000 lbs.
		8"	4,475 lbs.	3,575 lbs.	7,775 lbs.	12,000 lbs.
		9"	4,725 lbs.	3,775 lbs.	8,300 lbs.	12,000 lbs.
		10"	4,950 lbs.	3,950 lbs.	8,800 lbs.	12,000 lbs.
		11"	5,200 lbs.	4,150 lbs.	10,000 lbs.	12,000 lbs.
12"	5,450 lbs.	4,375 lbs.	11,300 lbs.	12,000 lbs.		
8T x 13-1/4"	DLF649	6" Min.	4,000 lbs.	3,200 lbs.	5,580 lbs.	16,000 lbs.
		7"	4,250 lbs.	3,400 lbs.	6,870 lbs.	16,000 lbs.
		8"	4,475 lbs.	3,575 lbs.	7,775 lbs.	16,000 lbs.
		9"	4,725 lbs.	3,775 lbs.	8,300 lbs.	16,000 lbs.
		10"	4,950 lbs.	3,975 lbs.	8,800 lbs.	16,000 lbs.
		11"	5,200 lbs.	4,150 lbs.	10,000 lbs.	16,000 lbs.
		12"	5,450 lbs.	4,350 lbs.	11,300 lbs.	16,000 lbs.

Safe Working Loads are based on approximately a 4 to 1 factor of safety in 3,500 psi normal weight concrete. Both HDG and plain finish are available.

Product Code	A	B	C	D	E	F
DLF647	2-1/2"	3/4"	3"	1/4"	1/2"	2-3/4"
DLF648	2-1/2"	1-1/4"	3"	3/4"	3/4"3/8"	2-7/8"
DLF749	3"	1-5/8"	3-1/2"	3/4"	3/4"3/8"	2-7/8"
DLF649	3"	1-5/8"	3-1/2"	3/4"	3/4"3/8"	2-7/8"

Anchor dimensions not shown are the same as the Erection Anchor of the same load range.



## ERECTION ANCHOR TWO HOLE

Erection Anchor Three Hole	Part No.	Precast Concrete Panel Thickness	SWL	
			With Shear Plate	With Tension Bar
2T x 4-1/4"	HMY403 HMY423	3-1/2"Min.	1,325lbs.	4,000lbs.
				4,000lbs.
		4"	1,525lbs.	4,000lbs.
				4,000lbs.
		5"	1,525lbs.	4,000lbs.
				4,000lbs.
		6"	1,750lbs.	4,000lbs.
				4,000lbs.
		7"	1,900lbs.	4,000lbs.
				4,000lbs.
		8"	2,075lbs.	4,000lbs.
				4,000lbs.
2T x 8-1/4"	HMY903 HMY403L	4"	1,650lbs.	4,000lbs.
				4,000lbs.
		5"	1,875lbs.	4,000lbs.
				4,000lbs.
		6"	2,125lbs.	4,000lbs.
				4,000lbs.
		7"	2,400lbs.	4,000lbs.
				4,000lbs.
		8"	2,700lbs.	4,000lbs.
				4,000lbs.
		9"	2,925lbs.	4,000lbs.
				4,000lbs.
10"	3,275lbs.	4,000lbs.		
		4,000lbs.		
11"	3,575lbs.	4,000lbs.		
		4,000lbs.		
12"	3,975lbs.	4,000lbs.		
		4,000lbs.		
4T x 7-7/8"	HMY075 HMY275	5-1/2"Min.	2,025lbs.	8,000lbs.
				8,000lbs.
		6"	2,250lbs.	8,000lbs.
				8,000lbs.
		7"	2,600lbs.	8,000lbs.
				8,000lbs.
		8"	3,000lbs.	8,000lbs.
8,000lbs.				
9"	3,375lbs.	8,000lbs.		
		8,000lbs.		
10"	3,750lbs.	8,000lbs.		
		8,000lbs.		
4T x 10-7/8"	HMY975	Same panel thickness and SWL as HMY048		
	HMY175L	Same panel thickness and SWL as HMY048		
8T x 13-1/4"	HMY185L	Same panel thickness and SWL as HMY049		
	HMY285L	Same panel thickness and SWL as HMY149		



Safe Working Loads are based on approximately a 4 to 1 factor of safety in 3,500 psi normal weight concrete.

Both HDG and plain finish are available.

HMY403/HMY903/HMY075: without shear plate.

HMY423/HMY403L/HMY275: with shear plate.

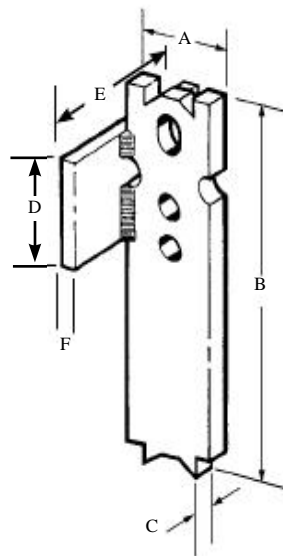
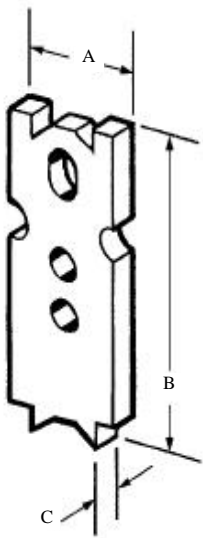
## ERECTION ANCHOR TWO HOLE

Part No.	A	B	C
HMY403	2"	4-1/4"	3/8"
HMY903	2"	8-1/4"	3/8"
HMY075	2-1/2"	7-7/8"	5/8"
HMY975	2-1/2"	10-7/8"	5/8"
HMY385L	3-3/4"	13-1/4"	5/8"
HMY185L	3-3/4"	13-1/4"	3/4"

Anchor dimensions not shown are the same as the Erection Anchor of the same load

Part No.	D	E	F
HMY423	2-1/2"	3"	1/4"
HMY403L	2-1/2"	3"	1/4"
HMY275	2-1/2"	3"	3/8"
HMY175L	2-1/2"	3"	3/8"
HMY485L	3"	3-1/2"	3/8"
HMY285L	3"	3-1/2"	3/8"

Anchor dimensions not shown are the same as the Erection Anchor of the same load



Erection Anchor Three Hole	Part No.	A	B	C
2T	HMY-2T-TH	2"	4"	3/8"
4T	HMY-4T-TH	2-1/2"	7"	5/8"
8T	HMY-8T-TH	3-1/2"	7"	3/4"
2T	HMY-2T-THS	2"	10-7/8"	3/8"
4T	HMY-4T-THS	2-1/2"	13-1/4"	5/8"
8T	HMY-8T-THS	3-1/2"	13-1/4"	3/4"

Part No.	Part No.	D	E	F
2T	HMY-2T-THS	3"	2-1/2"	1/4"
4T	HMY-4T-THS	3"	2-1/2"	3/8"
8T	HMY-8T-THS	3-1/2"	3"	3/8"

## ERECTION ANCHOR SANDWICH PANEL

Erection Anchor Sandwich Panel	Part No.	Concrete Compressive Strength	Insulated Panel Thickness	Shear Parallel to Thickness	Shear Perpendicular to Thickness	Tension
4-ton	HMY077	4,500 psi	2" x 2" x 4"	3,300 lbs	8,000 lbs	8,000 lbs
4-ton	HMY077	3,500 psi	3" x 2" x 3"	3,425 lbs	8,000 lbs	8,000 lbs
8-ton	HMY184	3,500 psi	3" x 2" x 3"	3,000 lbs	9,400 lbs	16,000 lbs
8-ton	HMY184	4,500 psi	2" x 2" x 4"	3,450 lbs	10,500 lbs	16,000 lbs
10-ton	HMY127351	4,500 psi	3" x 3" x 3"	4,700 lbs	10,900 lbs	20,000 lbs
10-ton	HMY127350	4,500 psi	3" x 4" x 3"	4,400 lbs	9,200 lbs	20,000 lbs
8-ton	HMY284	4,500psi	4"x2"x2"	4600lbs	9,870lbs	15,400lbs
8-ton	HMY284	4,500psi	3"x2"x3"	4,400lbs	8,800lbs	15,400lbs

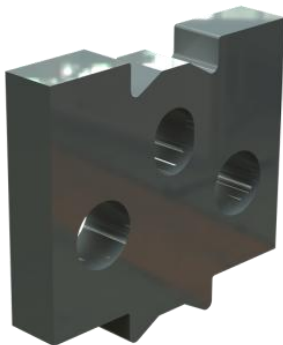
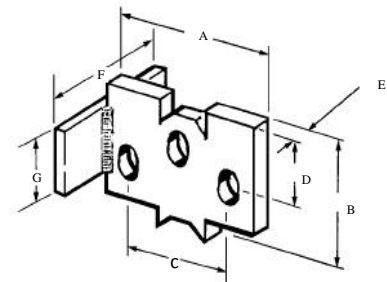
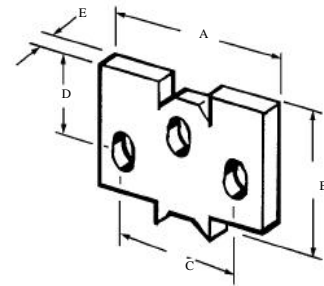
Safe working loads based on 4:1 SF; Minimum edge distance is 2'0"

Must use proper tension bar to achieve loads

Both HDG and plain finish are available.

Part No.	Shear Plate	A	B	C
HMY077	No	6"	3-3/4"	4-3/8"
HMY184	No	6"	4-3/4"	4-3/8"
HMY220	Yes	4"	3-3/4"	2-3/8"
HMY230	Yes	6"	3-3/4"	4-3/8"
HMY284	Yes	6"	4-3/4"	4-3/8"
HMY127351	Yes	7"	4-3/4"	5"
HMY127350	Yes	8"	4-3/4"	6"

Part No.	D	E	F	G
HMY077	1-13/16"	5/8"	-	-
HMY184	3-3/8"	3/4"	-	-
HMY220	2-1/16"	5/8"	3"	2"
HMY230	1-13/16"	5/8"	3"	2"
HMY284	3-3/8"	3/4"	3"	3-1/2"
HMY127351	3-3/8"	3/4"	8"	3"
HMY127350	3-3/8"	3/4"	8"	3"



## ERECTION ANCHOR WITH 45DEGREE HEAD & SHEAR PLATE

Erection Anchor 45° Head With Shear Plate	Part No.	Precast Concrete Panel Thickness	SWL		
			Shear	Tension-Anchor only	Tension- With tension bar
2T x 8-1/2"	HMY452	5" Min.	1,750 lbs.	2,650 lbs.	2,650 lbs.
2T x 8-1/2"	HMY452	6"	2,150 lbs.	3,850 lbs.	3,850 lbs.
4T x 11"	HMY454	6" Min.	2,400 lbs.	5,200 lbs.	5,200 lbs.
4T x 11"	HMY454	8"	3,500 lbs.	6,200 lbs.	6,200 lbs.
8T x 13-3/4"	HMY458	8" Min.	3,500 lbs.	7,500 lbs.	7,500 lbs.

- 1) Safe Working Load provides an approximate factor of safety of 4 to 1 in 3,500 psi normal weight concrete.
- 2) Safe Working Load is based on the anchor being located in the panel so that the shear plate is 3/4" minimum to 1-1/2" maximum from casting surface.
- 3) Panel will not hang plumb, as the panel thickness, center of gravity and anchor location will determine the exact angle at which the panel will hang.
- 4) Due to the design of this anchor, DO NOT attempt to use this anchor at loads higher than shown in this table – even with a properly installed tension bar.
- 5) Both HDG and plain finish are available.

Part No.	A	B	C	D
HMY452	2"	8-1/2"	3/8"	3-1/2"
HMY454	2-1/2"	11"	5/8"	4"
HMY458	3-3/4"	13-3/4"	3/4"	5-3/8"

Anchor dimensions not shown are the same as the Erection Anchor with Shear Plate of the same load range.

