

PLATE ANCHOR

Plate Anchor	Part No.	Precast Concrete Panel Thickness (Minimum)	Edge/Corner Distance (Minimum)	Safe Working Load			
				Shear	Tension	Shear Reinforced	Tension Reinforced
2T	HMY128	3-3/8"	4-1/2"	950 lbs.	950 lbs.	4,000 lbs.	4,000 lbs.
4T	HMY846	4-1/8"	6"	3,575 lbs.	3,575 lbs.	6,000 lbs.	6,000 lbs.
4T	HMY847	4-5/8"	7"	4,700 lbs.	4,700 lbs.	7,000 lbs.	7,000 lbs.
4T	HMY044	5-5/8"	8"	4,725 lbs.	4,725 lbs.	8,000 lbs.	8,000 lbs.
8T	HMY043	8-1/4"	13-5/8"	10,850 lbs.	10,850 lbs.	11,750 lbs.	11,750 lbs.

Safe Working Load provides an approximate factor of safety of 4 to 1 in 3,500 psi normal weight concrete. A minimum 3/4" of concrete is required below bottom of insert to achieve load. Both HDG and plain finish are available.

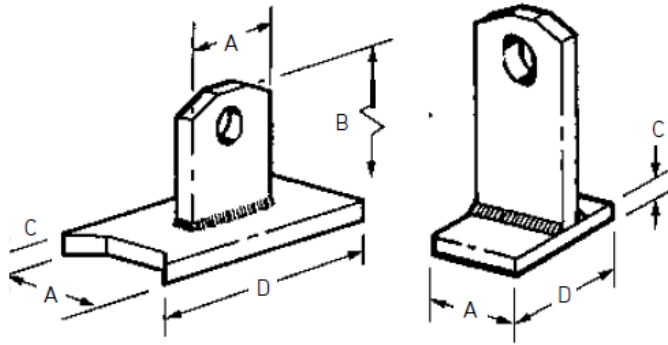


Plate Anchor	Part No.	Main Dimensions			
		A	B	C	D
2T	HMY128	1-1/4"	2-1/4"	3/8"	4"
4T	HMY846	1-1/2"	3"	5/8"	3-3/8"
4T	HMY847	1-1/2"	3-1/2"	5/8"	3-3/8"
4T	HMY044	1-1/2"	4-3/8"	5/8"	4"
8T	HMY043	2-1/2"	6-7/8"	3/4"	3"

