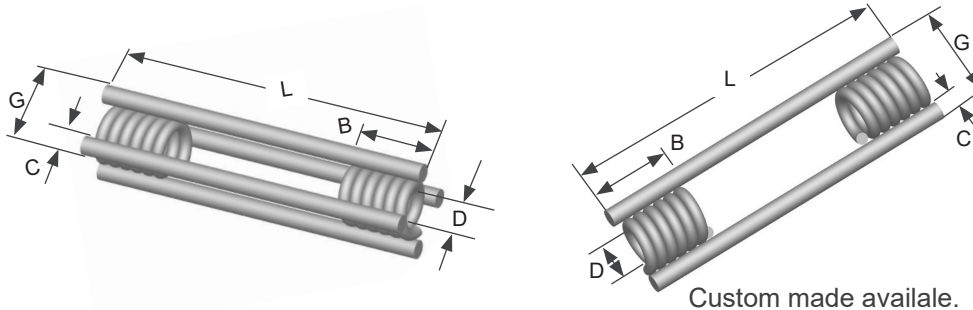


COIL TIE

Very versatile insert intended for use for lifting. The coil is welded to two or four strut also available with Shear Bar. Intended as a strong and versatile form tie insert.



PART NO.	STRUTS	THREAD (D)	INSERT LENGTH (L)	BODY LENGTH (B)	WIRE DIAMETER (C)	OVERALL WIDTH (G)	SWL (LBS)
CT2-3/4X5	2	3/4"	5"	1-5/8"	0.375"	1-5/8"	4250
CT2-3/4X6	2	3/4"	6"	1-5/8"	0.375"	1-5/8"	4500
CT2-3/4X8	2	3/4"	8"	1-5/8"	0.375"	1-5/8"	6000
CT2-3/4X21	2	3/4"	21"	1-5/8"	0.375"	1-5/8"	6000
CT2-1X6	2	1"	6"	2-1/16"	0.440"	2-3/8"	6000
CT2-1-1/4X8	2	1-1/4"	8"	2-1/16"	0.440"	2-1/2"	7500
CT4-3/4X6	4	3/4"	6"	1-5/8"	0.440"	1-3/4"	6000
CT4-1X6	4	1"	6"	2-1/16"	0.440"	2-3/8"	6000
CT4-1X8	4	1"	8"	2-1/16"	0.440"	2-3/8"	9000
CT4-1X12	4	1"	12"	2-1/16"	0.440"	2-3/8"	9000
CT4-1X15	4	1"	15"	2-1/16"	0.440"	2-3/8"	9000
CT4-1-1/4"X8	4	1-1/4"	8"	2-3/8"	0.440"	2-1/2"	9000
CT4-1-1/4"X12	4	1-1/4"	12"	2-3/8"	0.440"	2-1/2"	13500
CT4-1-1/4"X18	4	1-1/4"	18"	2-3/8"	0.440"	2-1/2"	13500
CT4-1X12S	4	1"	12"	2-1/16"	0.440"	2-3/4"	9000
CT4-1X15S	4	1"	15"	2-1/16"	0.440"	2-3/4"	9000
CT4-1X18S	4	1"	18"	2-1/16"	0.440"	2-3/4"	9000
CT6-1-1/4X10	6	1-1/4"	10"	2-3/8"	0.440"	2-3/4"	12000

Note: SWL provides a factor of safety of approximately 4:1 in 3,000 psi normal weight concrete.